

► MAGNETIC - ELECTRIC (PULSE) VALVE

- * DIAPHRAM LIFE - Over one million cycles
- * PULSE SIGNAL CONTROLER
- * TYPE - Coupling, Screw, Flange, Pilot, In-line, EX-proof



coupling type
RMF-25/45DD



pilot type
RMF-Q-25/45DD



Screw type
RMF-Z-15P~45P



Screw type
RMF-Z-40~76S



Screw type
RMF-Z-20A

MODEL	Port Size	Orifice (mm)	Pressure range (Mpa)	Technical Data
RMF-25DD	35 φ	25mm(1")	0.3 ~ 0.8	* Temp. : -5 ~ 55℃ * Humidity : < 85% * Medium : Clean air * Voltage : DC24, AC110, AC220 (50-60Hz)
RMF-45DD	50 φ	45mm(1-1/2")		
RMF-Q-25DD	35 φ	25mm(1")		
RMF-Q-45DD	50 φ	45mm(1-1/2")		

MODEL	Port Size	Orifice (mm)	Pressure range (Mpa)	Technical Data
RMF-Z-15P	G1/2	15mm	0.3 ~ 0.8	* Temp. : -5 ~ 55℃ * Humidity : < 85% * Medium : Clean air * Voltage : DC24, AC110, AC220 (50-60Hz)
RMF-Z-20P	G3/4	20mm		
RMF-Z-25P	G1	25mm		
RMF-Z-35P	G1-1/2	35mm		
RMF-Z-45P	G1-1/2	45mm		

MODEL	Port Size	Orifice (mm)	Pressure range (Mpa)	Technical Data
RMF-Z-40S	G1-1/2	40mm	0.3 ~ 0.8	* Temp. : -5 ~ 55℃ * Humidity : < 85% * Medium : Clean air * Voltage : DC24, AC110, AC220 (50-60Hz)
RMF-Z-50S	G2	50mm		
RMF-Z-62S	G2-1/2	62mm		
RMF-Z-76S	G3	76mm		
RMF-Z-100S	100 φ	100mm		
RMF-Z-20A	G3/4	20mm		

► MAGNETIC - ELECTRIC (PULSE) VALVE

- * DIAPHRAM LIFE - Over one million cycles
- * PULSE SIGNAL CONTROLLER
- * TYPE - Coupling, Screw, Flange, Pilot, In-line, EX-proof



In-line type
RMF-Y-50~76S



standard
RMF-Z-20/25

MODEL	Port Size	Orifice (mm)	Pressure range (Mpa)	Technical Data
RMF-Y-50S	65 φ	50mm	0.3 ~ 0.8	<ul style="list-style-type: none"> * Temp. : -5 ~ 55℃ * Humidity : < 85% * Medium : Clean air * Voltage : DC24, AC110, AC220 (50-60Hz) * RMF-Y-50~76S (Double diaphragm) * RMF-Z-20A (Screw + Insert pipe)
RMF-Y-62S	80 φ	62mm		
RMF-Y-76S	90 φ	76mm		
RMF-Z-20	G3/4	20mm		
RMF-Z-25	G1	25mm		



pilot type
RMF-Q-25
RMF-Q-62

MODEL	Port Size	Orifice (mm)	Pressure range (Mpa)	Technical Data
RMF-Q-25	G1	25mm	0.3 ~ 0.8	<ul style="list-style-type: none"> * Temp. : -5 ~ 55℃ * Humidity : < 85% * Medium : Clean air
RMF-Q-62S (Double diaphragm)	G2-1/2	62mm		



Pulse Signal Controller
RMY

MODEL	Interval Time Range	On Time Range	Output Line NO	Technical Data
RMY-8 / 16 / 24	1 ~ 120 sec	1 ~ 406 ms	1~64 Lines	<ul style="list-style-type: none"> * Dimension : 250*190*105 mm (May change when add line) * Input Voltage : AC110V / AC220 / 40% / 50-60 Hz * Output Voltage : AC110V / AC220V / DC24V * Power Consumption : 5W (Out putting 25W)
RMY-32 / 40 / 48				
RMY- 56 / 64				



Pulse Signal Controller

MODEL	APPLICATION
PIC-20X	<ul style="list-style-type: none"> * Input Voltage : AC220V ± 10% 50Hz * Output Voltage : AC110V / AC220V / DC24V * Output Current : 1A * Interval Time Range : 1 ~ 50S * Adjustable Length Range : 0.03 ~ 0.3S * Output Lines : 4~20Lines * volume : 280 × 220 × 110 mm



Diaphragm

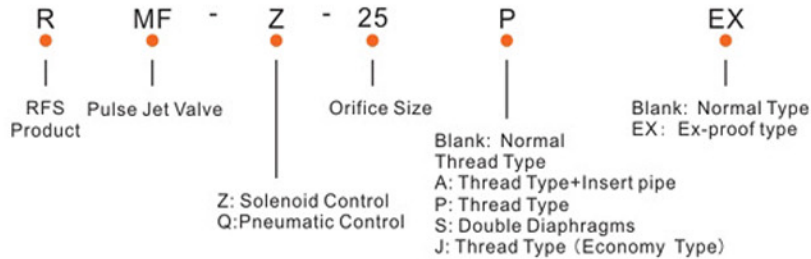
MODEL	Port size
FX-999	G1 G1-1/2

Right Angle Pulse Jet Valve

★ Speciality

- ★ Adopt international advanced technology.
- ★ Used for dust remover.
- ★ Key parts all made of imported materials.
- ★ Pneumatic control type, solenoid control type, ex-proof solenoid control type for choose.
- ★ Female thread connection port, easy to be mounted.

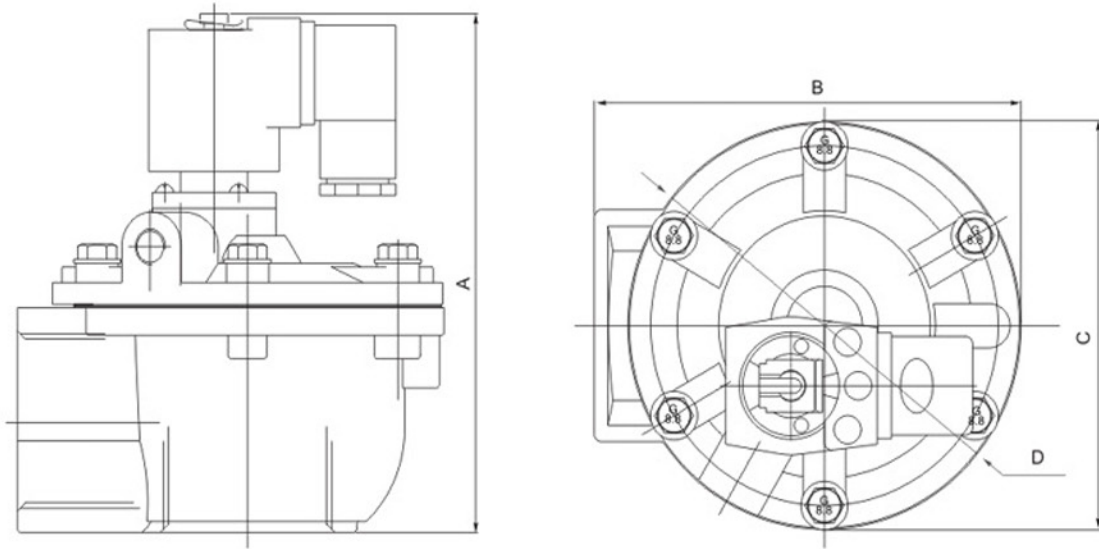
★ Order Code



★ Parameters

Model	Working Pressure	Ambient Temperature	Relatively Humidity	Working Medium	Voltage	Diaphragm Life Cycles	Orifice mm	Connection Port
RMF-Z-20A	0.3~0.8MPa	-5~55℃	< 85%	Clean Air	AC110V AC220V DC24V	Over 1000k Cycles	Ø20	G3/4"
RMF-Z-20P							Ø20	G3/4"
RMF-Z-20							Ø20	G3/4"
RMF-Z-25							Ø25	G1"
RMF-Z-25P							Ø25	G1"
RMF-Z-35P							Ø35	G1 1/2"
RMF-Z-40S							Ø40	G1 1/2"
RMF-Z-50S							Ø50	G2"
RMF-Z-62S							Ø62	G1 1/2"
RMF-Z-76S							Ø76	G3"
RMF-Z-100S							Ø100	Ø100

★ Overall Dimension



★ Overall Dimension

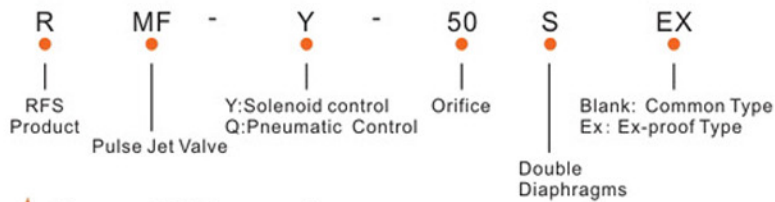
Model	RMF-Z -20A	RMF-Z -20P	RMF-Z -20	RMF-Z -25	RMF-Z -25P	RMF-Z -35P	RMF-Z -40S	RMF-Z -50S	RMF-Z -62S	RMF-Z -76S	RMF-Z -100S
A	173	124	110	110	124	142	166	202	222	245	356.5
B	145	105	90.5	90.5	105	121	132	210	210	230.5	286.5
C	-	82.5	75	75	82.5	-	-	-	-	-	-
D	Ø90	-	-	-	-	Ø112	Ø137	Ø185	Ø185	Ø200	Ø221

In Line Pulse Jet Valve

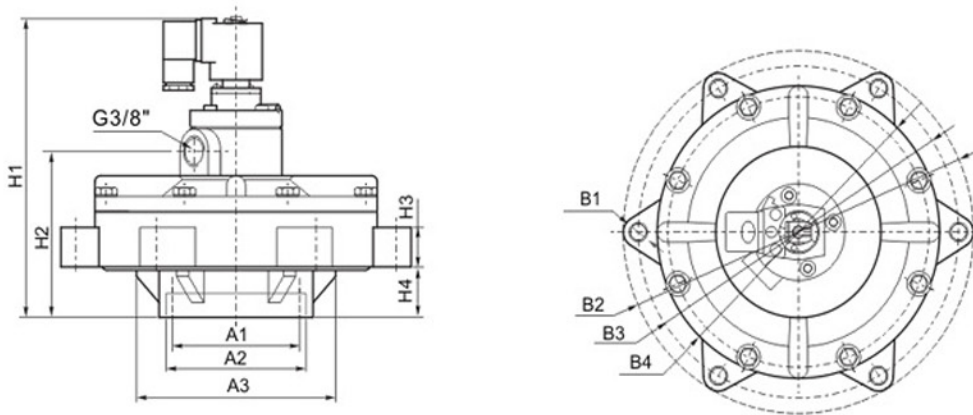
★ Speciality

- ★ Adopt international advanced technology
- ★ Used for dust remover
- ★ Key parts all made of imported materials
- ★ Pneumatic control type, solenoid control type, ex-proof solenoid control type for choose.
- ★ Directing mounted to gas bag, better blowing effect and small loss of air source.

★ Order Code



★ Overall Dimension



★ Overall Dimension

Model	A1	A2	A3	B1	B2	B3	B4	H1	H2	H3	H4
RMF-Y-50S	Ø64.5	Ø78.5	Ø118	6-Ø11.5	Ø200	Ø180	Ø159	187	100	25	31
RMF-Y-62S	Ø80	Ø93.5	Ø145	6-Ø11	Ø226	Ø204	Ø185	197	107	34.5	35
RMF-Y-76S	Ø90	Ø99	Ø141	6-Ø11	Ø248	Ø227	Ø200	205	113	27	34

★ Parameters

Model	Working Pressure	Ambient Temperature	Humidity	Working Medium	Voltage	Diaphragm Life Cycles	Orifice	Connection Port
RMF-Y-50S	0.3 ~ 0.8MPa	-5 ~ 55°C	< 85%	Clean Air	AC110V AC220V DC24V	Over One Million Cycles	Ø50	Ø65
RMF-Y-62S							Ø62	Ø80
RMF-Y-76S							Ø76	Ø90

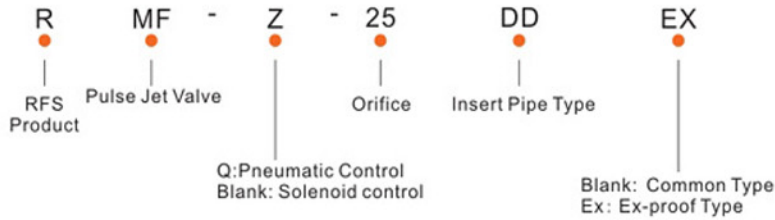
Insert Pipe Type Pulse Jet Valve

★ Speciality

- ★ Adopt international advanced technology
- ★ Used for dust remover
- ★ Key parts all made of imported materials
- ★ Pneumatic control type, solenoid control type, ex-proof solenoid control type for choose.
- ★ Insert pipe style, more easier to be mounted.



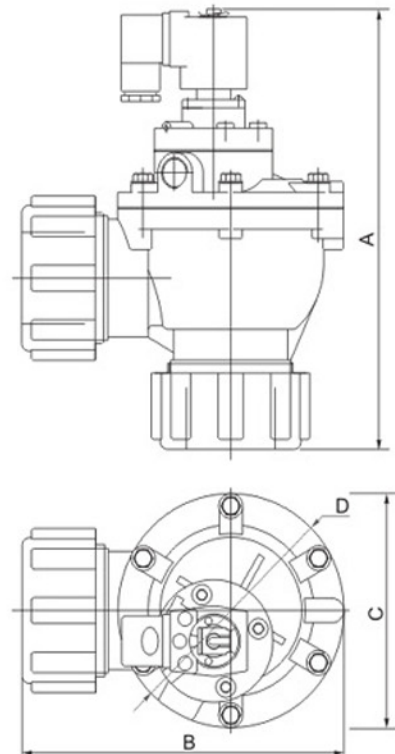
★ Order Code



★ Overall Dimension

Model	A	B	C	D
RMF-25DD	189	131	82.5	-
RMF-45DD	237	179.5	-	Ø126

★ Overall Dimension



★ Parameters

Model	Working Pressure	Ambient Temperature	Humidity	Medium	Voltage	Diaphragm Life Cycles	Orifice	Connection Port
RMF-25DD	0.3~ 0.8MPa	-5~55°C	< 85%	Clean Air	AC110V	Over One Million Cycles	Ø25	Ø35
RMF-45DD					AC220V DC24V		Ø40	Ø50